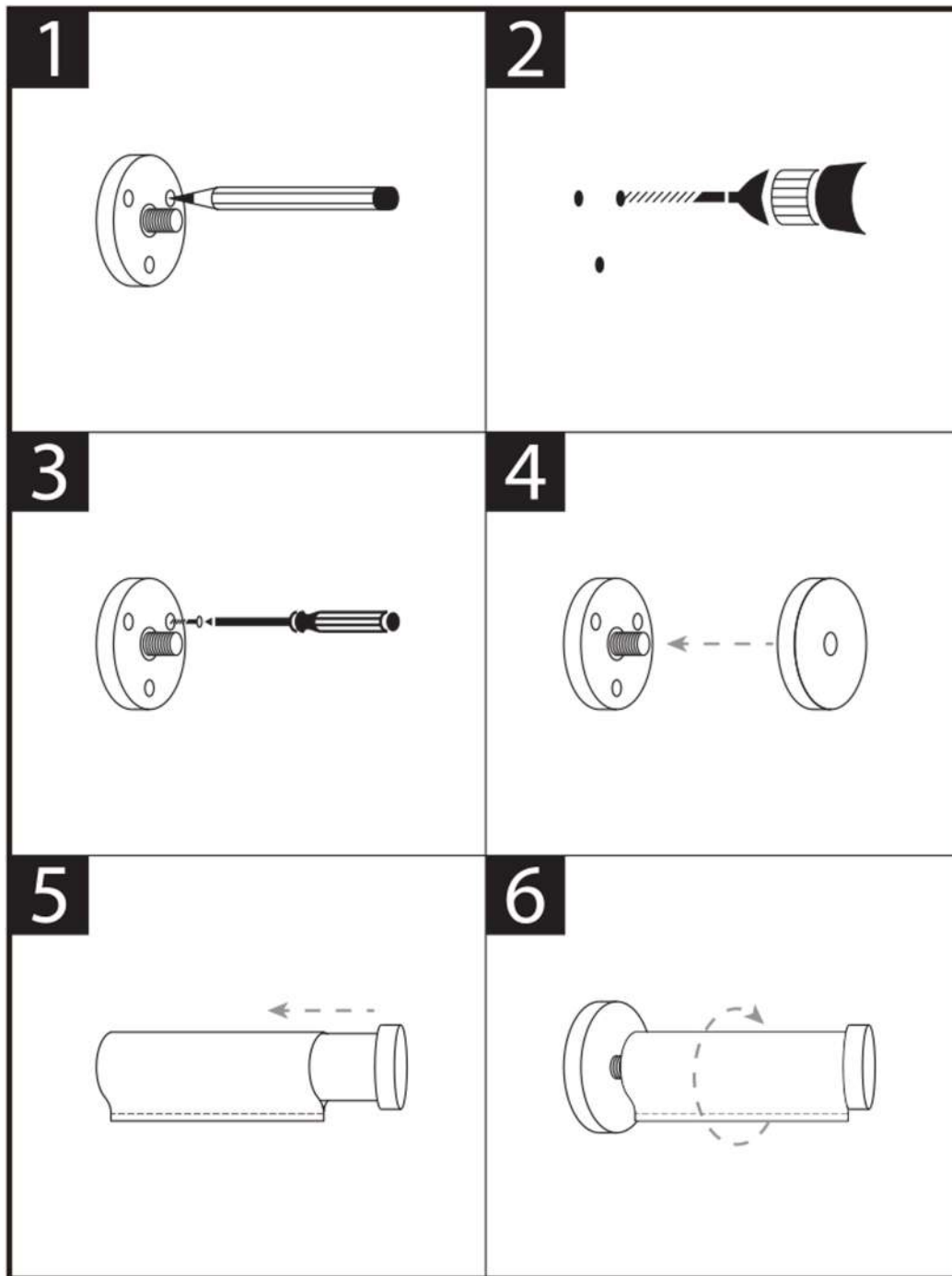


Assembly Instructions

PRODUCT: Rootz HOOK Wall Hook



1. Position the bracket on the wall and mark the screw holes.
2. Drill holes at the marked points and insert the wall plugs.
3. Attach the bracket to the wall by tightening the screws.
4. Place the cover plate over the mounted bracket.
5. Slide the leather cover onto the bracket.
6. Rotate the tube to secure it firmly in place.